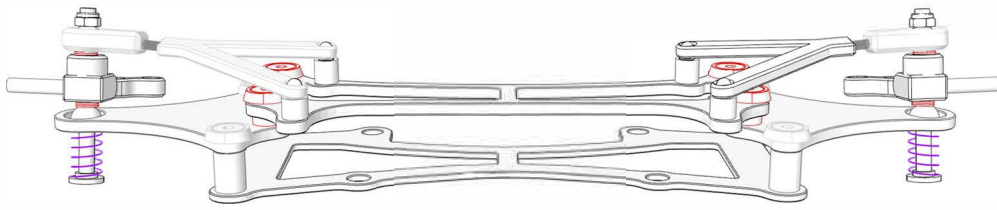
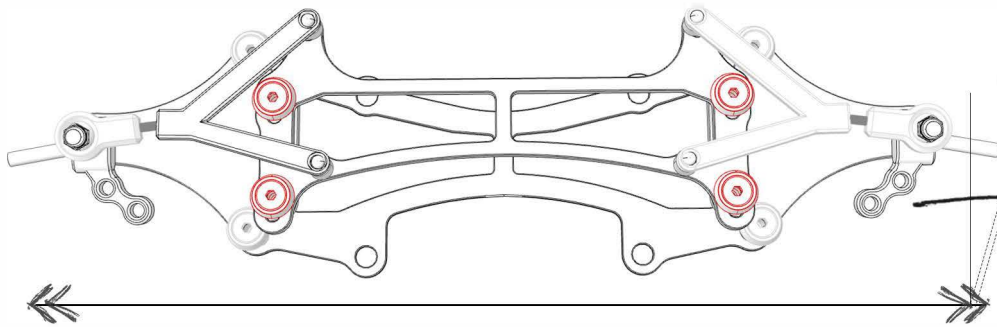


set-up sheet VTE v. 1/v. 2 version

driver:	traction: <input type="checkbox"/> low <input type="checkbox"/> medium <input type="checkbox"/> high
date:	track temp:
track:	front/rear tire:

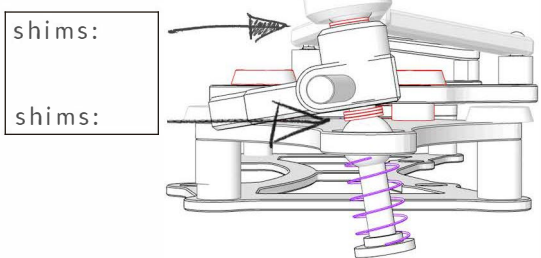
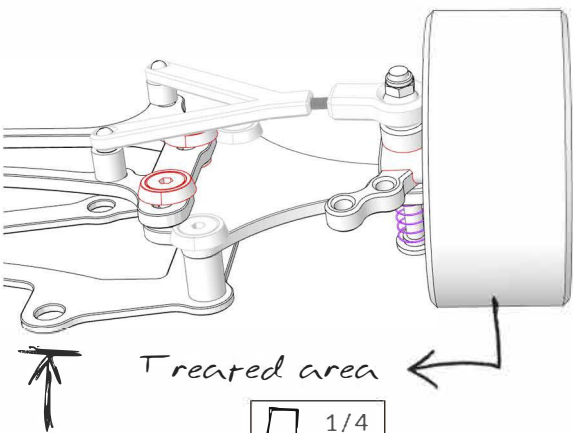


camber: °  
 spring:  
 oil/cst:  
 droop: mm  
 axle spacer: mm



toe angle: °

bumpsteer: mm

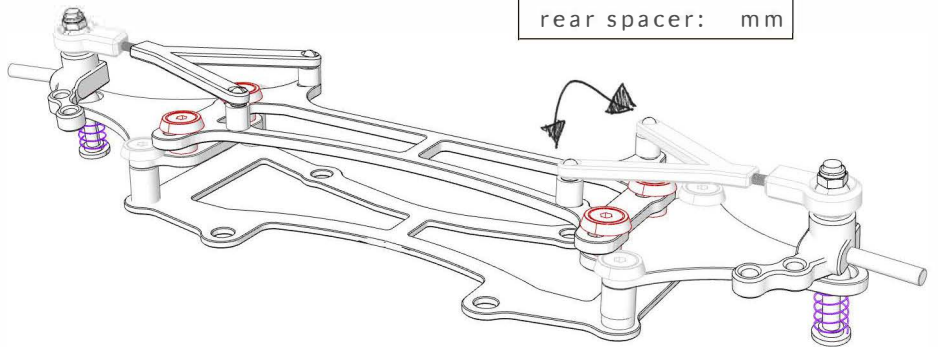


shims:  
 shims:

front spacer: mm  
 rear spacer: mm

Treated area

none	<input type="checkbox"/>	1/4	<input type="checkbox"/>
1mm	<input type="checkbox"/>	1/3	<input type="checkbox"/>
2mm	<input type="checkbox"/>	1/2	<input type="checkbox"/>
		full	<input type="checkbox"/>



stock <input type="checkbox"/>	modified <input type="checkbox"/>	motor:	pinion gear:
front tire diameter: mm			spur gear:
rear tire diameter: mm			

comments: