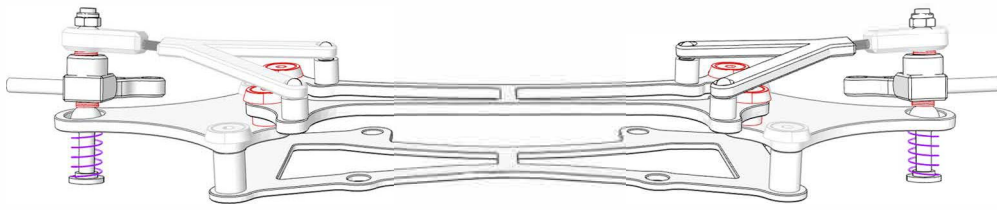
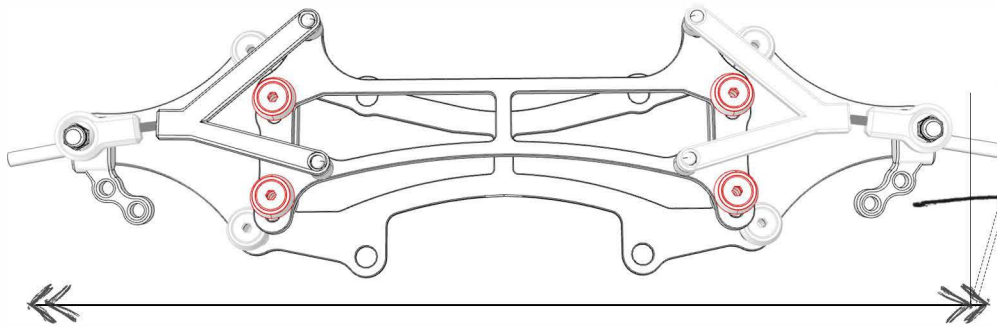


set-up sheet VTE v. 1/v. 2 version

driver:	traction: <input type="checkbox"/> low <input type="checkbox"/> medium <input type="checkbox"/> high
date:	track temp:
track:	front/rear tire:

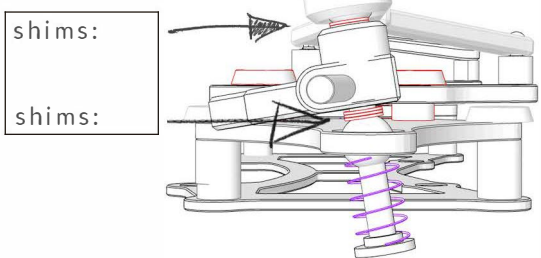
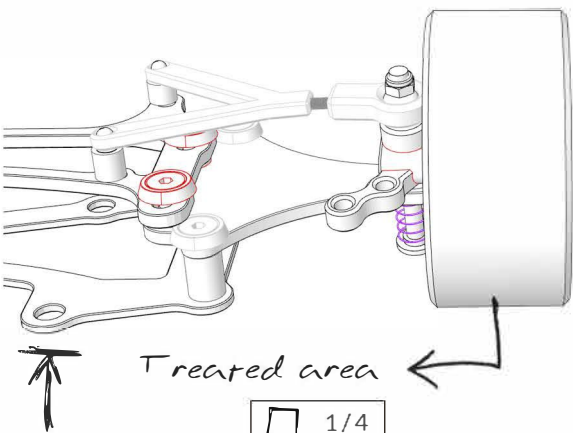


camber: °
 spring:
 oil/cst:
 droop: mm
 axle spacer: mm



toe angle: °

bumpsteer: mm

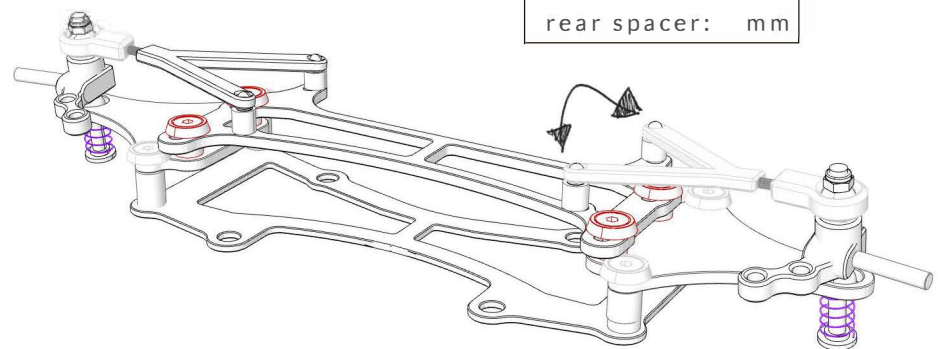


shims:
 shims:

front spacer: mm
 rear spacer: mm

none
 1mm
 2mm

1/4
 1/3
 1/2
 full



stock <input type="checkbox"/> modified <input type="checkbox"/>	motor:	pinion gear:
front tire diameter: mm		spur gear:
rear tire diameter: mm		

comments: